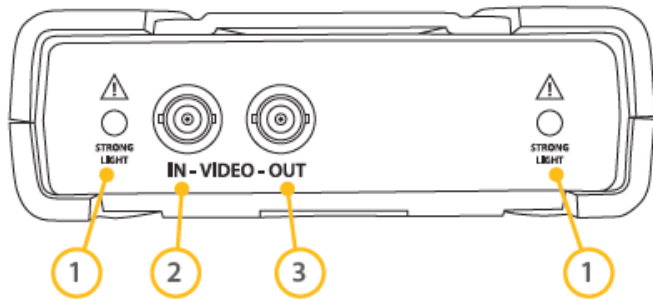


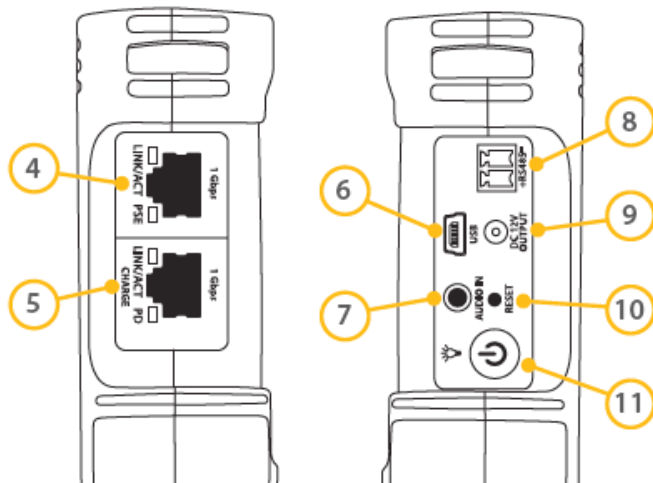
No.	Feature	Primary Function
1	Power Indicator	Lights green when on
2	Data Indicator	Flashes red when data is being transmitted
3	Charge Indicator	Lights red when charging / Off when fully charged
4	MODE	Displays main menu
5	SET	Display/Edit settings for current operation
6	SCR	Enter/Exit full screen mode
7	FOCUS	PTZ focus + and - adjustment
8	ZOOM	PTZ zoom + and - adjustment
9	IRIS	PTZ iris + and - adjustment + Confirm / - Cancel changes
10	Arrow Keys	PTZ movement / Navigation

Secondary functions

Some keys have various secondary functions. Specific secondary functions are indicated on screen depending on which operation is currently being performed.



No.	Feature	Primary Function
1	High Power LED	LED torch
2	BNC Video In	HD, IP & analogue video in
3	BNC Video Out	HD, IP & analogue video out
4	Network Port 1 (Blue)	Network port with PoE output Orange LED - PoE indicator Green LED - Data indicator
5	Network Port 2 (Green)	Network port with PoE input Orange LED - PoE indicator Green LED - Data indicator
6	Mini USB Port	For connecting to PC
7	Audio Socket	For audio testing
8	RS485 Output	For RS485 testing & control
9	12V DC Output	12V / 2A Output for powering CCTV cameras
10	Reset Button	Push to factory reset device
11	Power Button / Torch	Hold to turn device On/Off Quick double press to turn torch On/Off



All specifications are approximate. SoftCCTV.com reserves the right to change any product specification or features without notice. Whilst every effort is made to ensure that these instructions are complete and accurate, SoftCCTV.com cannot be held responsible in any way for any losses, no matter how they arise, from errors or omissions in these instructions, or the performance or non-performance of the camera or other equipment that these instructions refer to.

Turning The Device On/Off

1. To turn the device **On** press and hold the **Power Button** until the **Power Indicator** lights up.
2. To turn the device **Off** press and hold the **Power Button** until the screen turns off.

Selecting Functions

1. To display the main menu press the **'Mode'** button.
2. Use the **Up** and **Down** arrow keys to highlight the desired function.
3. Use the **Right** arrow key to select function.

Installation

The LCD400K is supplied with a high capacity Lithium-ion Polymer battery. For safety reasons the battery is packaged separate to the test monitor.

To install the battery first remove the battery cover on the rear of the device. Insert the top of the battery with the gold connectors pointing downwards and the bottom of the battery should then drop into place.

Note: *When the battery is inserted the test monitor will turn on automatically.*

Recharging

To recharge the battery you will need to connect the power supply lead, PoE injector and network lead supplied with the test monitor as described below.

1. Connect the power supply lead to the PoE injector.
2. Connect one end of the network lead to **'Data + PoE output'** RJ45 socket on the PoE injector.

Video Inputs	x1 (HD-TVI, CVI, AHD & Analogue)
Video In Connection	BNC
Video Outputs	x1 (1080P HD-TVI, CIV, AHD - PAL/NTSC)
Video Out Connection	BNC
Input Resolution	Up to 8MP (4K)
Format	PAL / NTSC
Video Signal	1Vpp
Network Ports	x2 (1x Charge / 1x PoE)
Network Connection	RJ45
IP Protocol	ONVIF 16.12

IP Mode	DHCP (Client) / DHCP (Server) / Static
Camera Control	RS485 / TVI, CVI, AHD Coaxitron
Protocols	Alien TVI / Pelco D / Pelco P / DAHUA (CVI) / ACP (AHD) + More
Baudrate	150 / 300 / 600 / 1200 / 4800 / 9600 / 19200
Screen	4" TFT Backlit 16.7M Colour
Resolution	800 x 480
Power Input	PoE 48V 15W

Power Output	PoE 48V 15W / 12V DC 2A
Battery	7.4V Lithium Ion Polymer
Charge Time	3~4 Hours
Battery Life	Up To 10 Hours
Internal Storage	8GB Flash
Torch	2x 35lm LEDs
Working Temperature	-10°C~55°C
Working Humidity	30%~90%
Weight	1.6kg
Dimensions	190 x 113 x 37mm

Analogue Camera Test

The LCD400K Allows you to connect TVI, AHD, CVI & Analogue cameras to test for video and RS485. Scan the QR Code for the Full Manual and more information



Onvif Test

The LCD400K allows you to connect to IP Cameras on a network or direct. Scan the QR Code for the Full Manual



3. Connect the other end of the network lead to the green RJ45 socket labelled **'Charge'** on the side of the test monitor.
4. Plug the power supply lead into a wall socket and turn the socket on.
5. The orange light on the RJ45 socket and the red battery light on the front of the device will light up when charging.



As the LCD400K is recharged via PoE you can recharge the device from any RJ45 socket with a PoE output such as a network switch or a network socket on a NVR.

Battery Indicators

Icon	Function
	Displays the current battery level
	Lights up red when charging
	Flashes three times when battery is empty